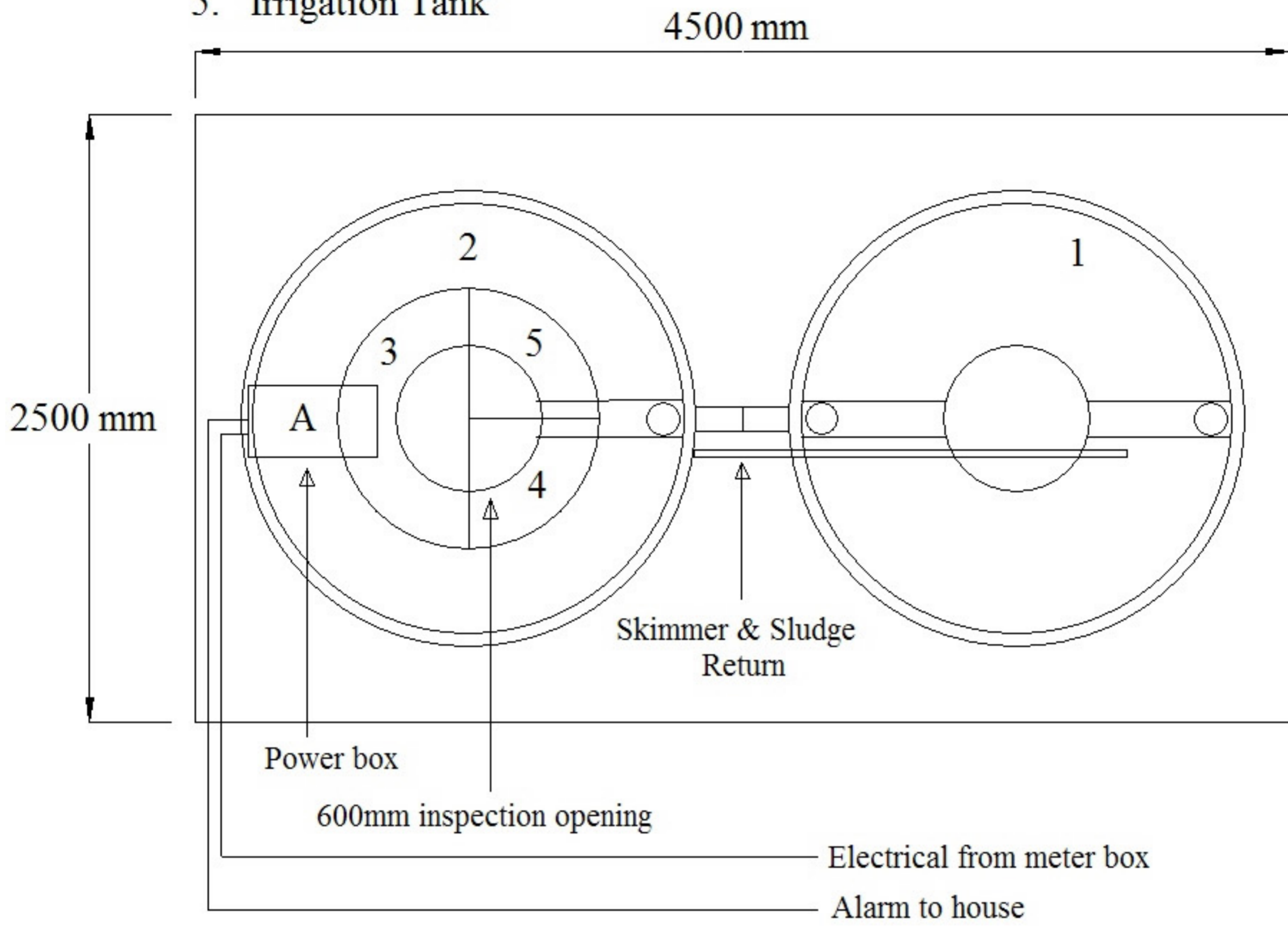


1. Septic Tank
2. Aeration Tank
3. Clarification Tank
4. Chlorination Tank
5. Irrigation Tank



Inspection openings MUST NOT be below surface ground level

