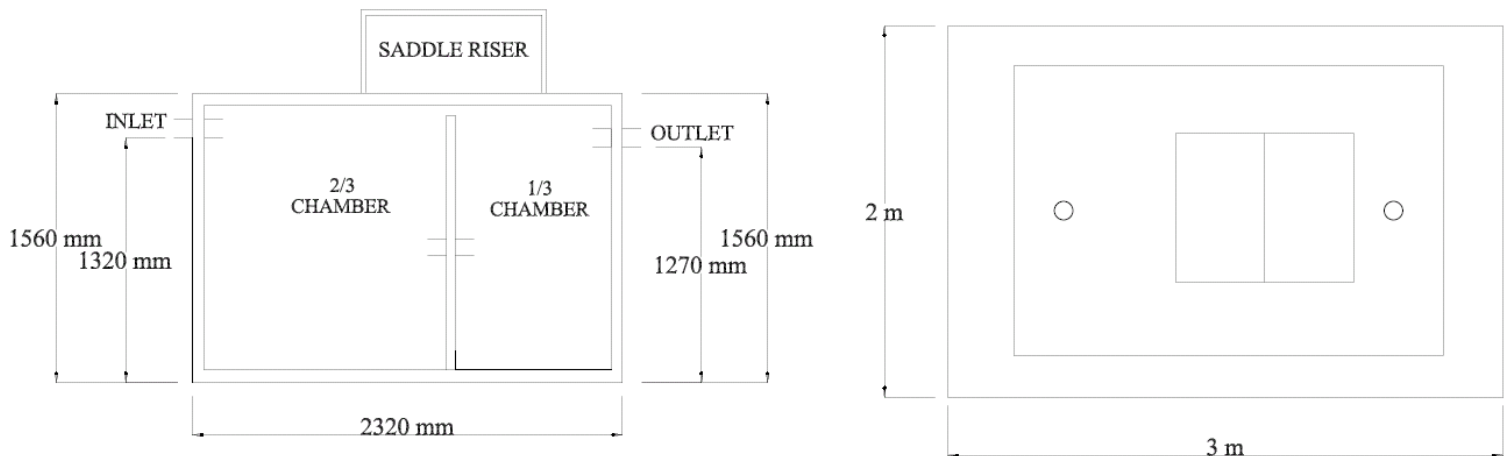


bioCycle
34-48 Patpa Drive
Sheidow Park SA 5158
Ph: 08 8381 9100
Fax: 08 8381 9116
Email: sales@biocycle.com.au
Web: www.biocycle.com.au



CONCRETE IN-GROUND SEPTIC TANKS 3,250 Litre



Total Mass 1.8 tonnes

Required Depth Determined by drain depth.

bioCycle Concrete tanks are designed to go underground, thus not wasting precious space. Tanks can be supplied to finish flush with the surface (Round Concrete Coverslab) or up to 900mm below the surface.

Site Preparation – Excavate a 3m x 2m rectangular hole to the required depth plus 75mm, place a 75mm thick level bed of 10mm screenings on the base, it is recommended that the tank be partially filled with water immediately after positioning to avoid tank "floating". When back filling avoid large "rocks" and compact well.

3,250 Litre tanks may be placed immediately behind the delivery truck or immediately alongside, provided clear access is available. Site must be level and clear of overhead power lines, trees etc.